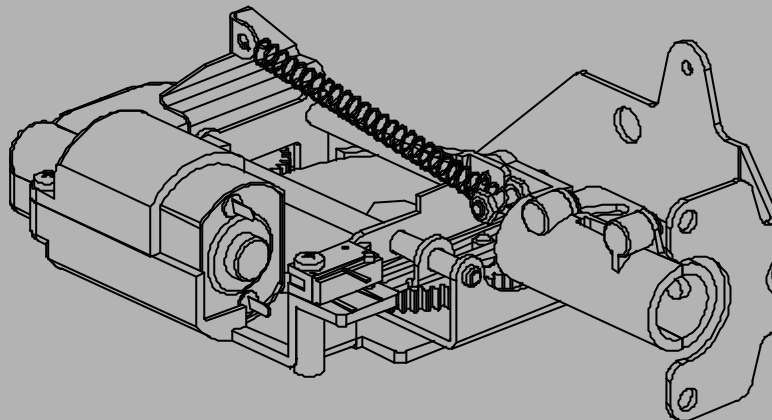


WECOHE PRODUCTS:

Assembly Instructions for Tamiya 1/16 Scale King Tiger Recoilunit Upgrade



***Read these instructions carefully and review the drawings before
you start the assembly!***

The manufacturer doesn't take any responsibilities neither of any damages or malfunctions that might cause by
modificating original parts nor that might cause by using this product.

Preparation

You need to have the following tools at hand:

- Long or flat nose pliers
- Small **Phillips-tip screwdriver** (+)
- pair of tweezers
- Small file and **sanding paper** (400/120)
- Motortool

After upgrading the recoil unit, it's function is based on a spring that pulls back the gun barrel, in a sudden, realistic movement. The barrel's forerun remains in it's original function but is slowed down via an electronic card (adjustable). The mechanism is enforced by substituting brassmade gears for the plastic items, where they are needed.

1) Disassembly

Disassemble the recoil unit by loosening the two screws on the upper gear box housing.

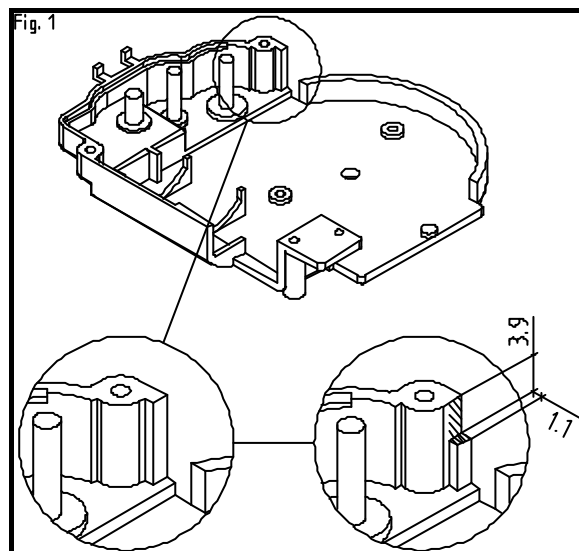
2) Modification

Modify the gear box housing, guide rail and the gun barrel coupler referring to figure 1 – 4.

Note: All measurements are specified in millimeters!
25.4mm = 1" inch

2a) – lower gear box housing

first mark as shown in the drawing and then remove by sanding down using a small file.

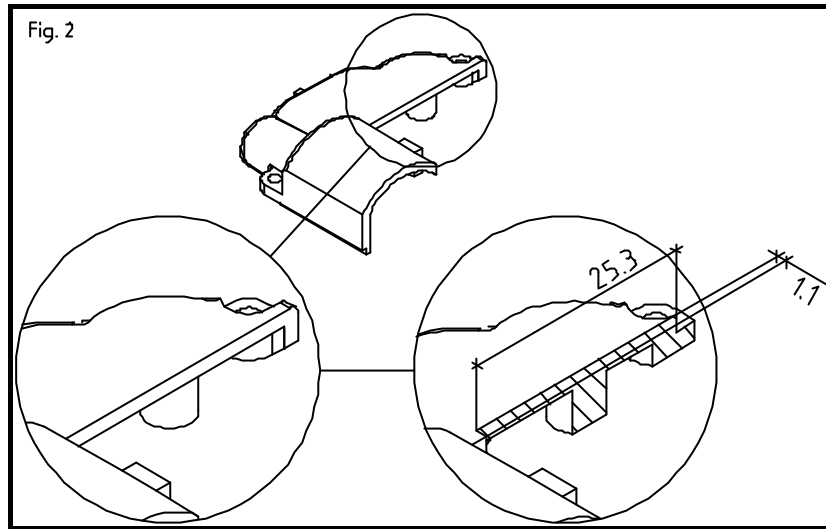


WECOHE PRODUCTS

Assembly Instructions for Tamiya 1/16 Scale King Tiger Upgrade Recoilunit

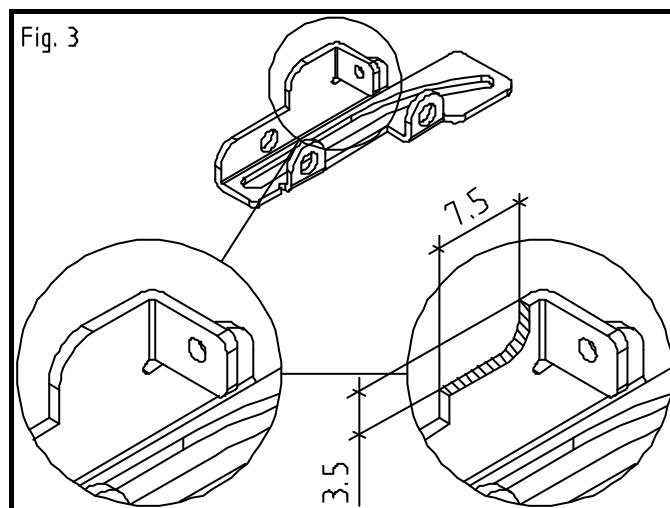
2b) – upper gear box housing

first mark as shown in the drawing and then remove by sanding down using a small file.



2c) - guide rail

first mark as shown in the drawing and then remove by using a motor tool and/or a small file.



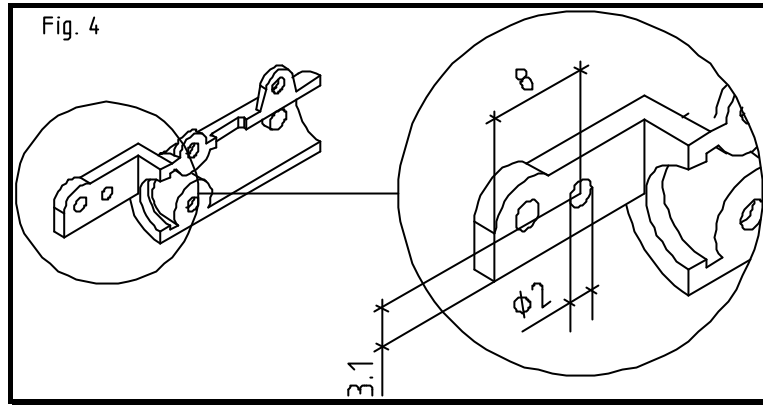
Note: Please take care not to deform the guide rail during modification, to ensure proper function afterwards

WECOHE PRODUCTS

Assembly Instructions for Tamiya 1/16 Scale King Tiger Upgrade Recoilunit

2d) – gun barrel coupler

first mark as shown in the drawing and then drill a hole with 2mm in diameter.

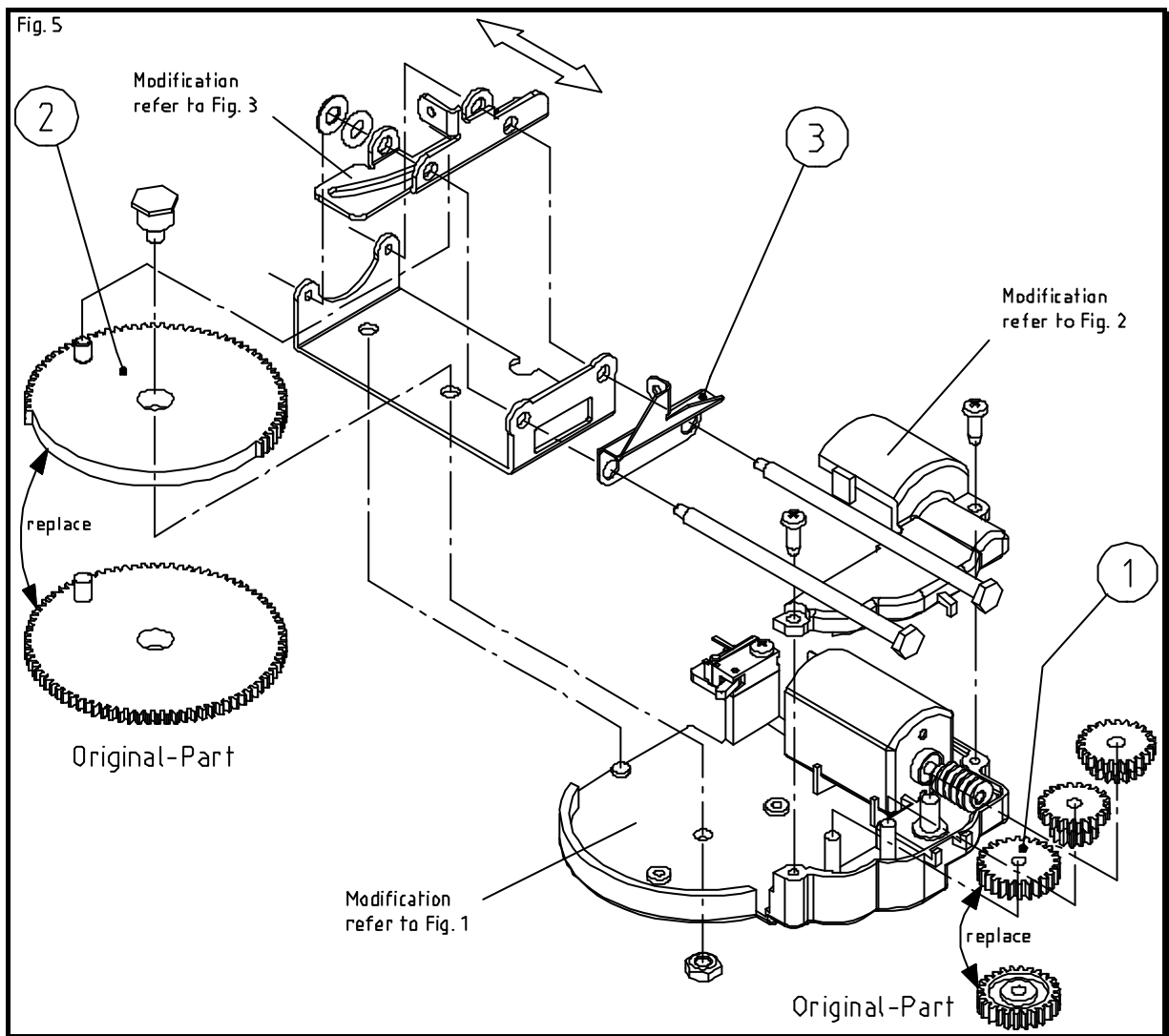


3) Assembly

Attach everything as shown in the picture. Use the brassgear Z26 (1) and the brassmade eccentric gear (2) instead of the original items and don't forget to fix the spring stay (3).

Pay attention to the notes on the drawing.

- 1 - **brassgear Z26**
- 2 - **brassmade eccentric gear**
- 3 - **spring stay**



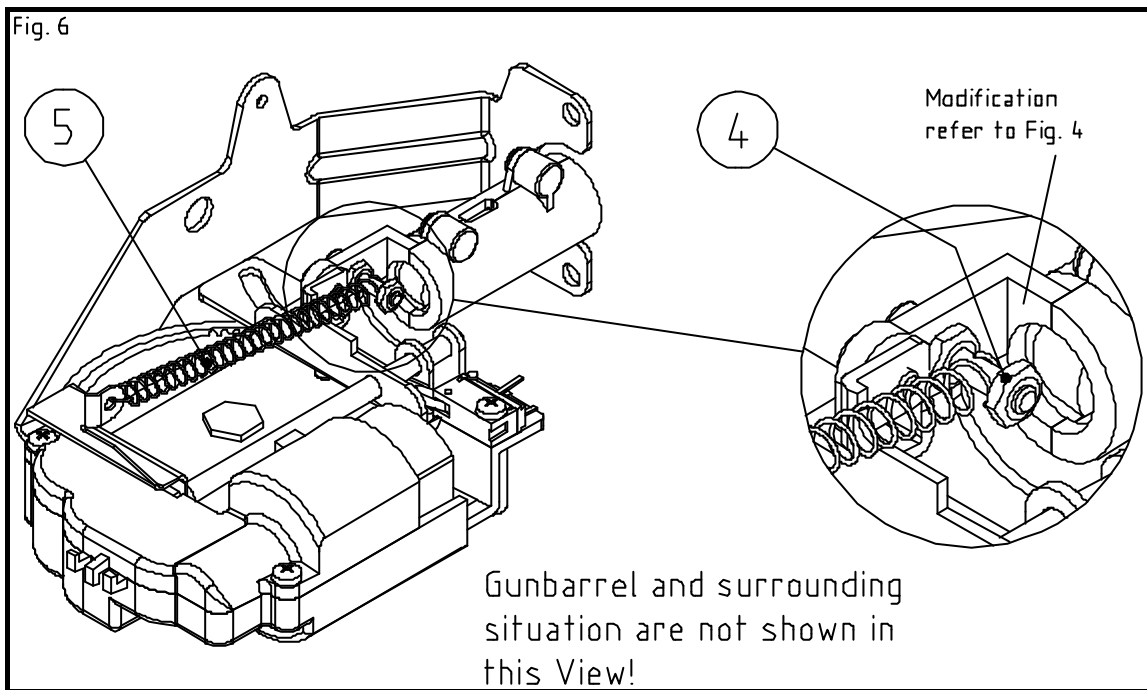
WECOHE PRODUCTS

Assembly Instructions for Tamiya 1/16 Scale King Tiger Upgrade Recoilunit

The following step needs to be done while the recoil unit is installed (gun barrel coupler already attached to the gun barrel)

Note: First attach the spring (5) to the spring stay (3), then mount it to the gun barrel coupler using the socket head screw (4) as shown in the diagram!

- 4** - **socket head screw M2x10 + 2x nut M2**
- 5** - **Recoil spring**



WECOHE PRODUCTS

Assembly Instructions for Tamiya 1/16 Scale King Tiger Upgrade Recoilunit

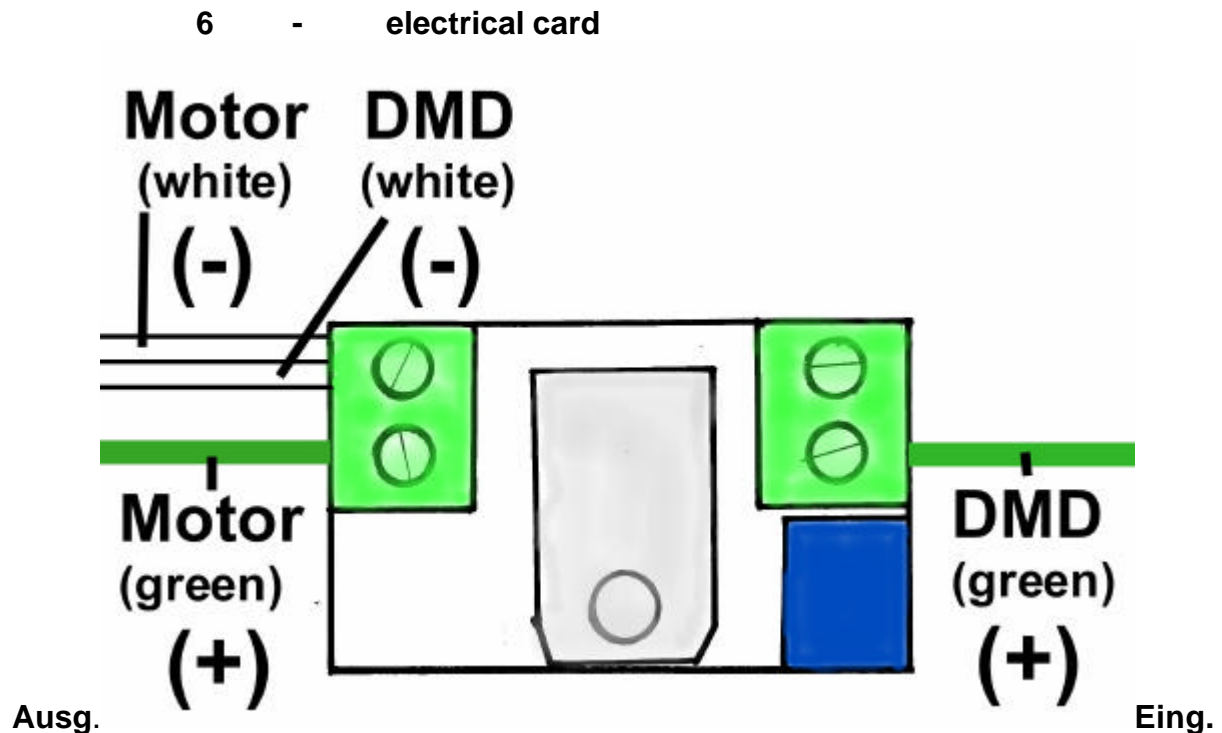
4) Wiring

Connect the small electrical card (7) as shown in the diagram figure 4 by cutting the white and the green wire. Pay attention to the positioning of the clamps while you are connecting the wires on to.

To adjust the speed of the gun barrels forward movement turn the potentiometer by using a small screwdriver.

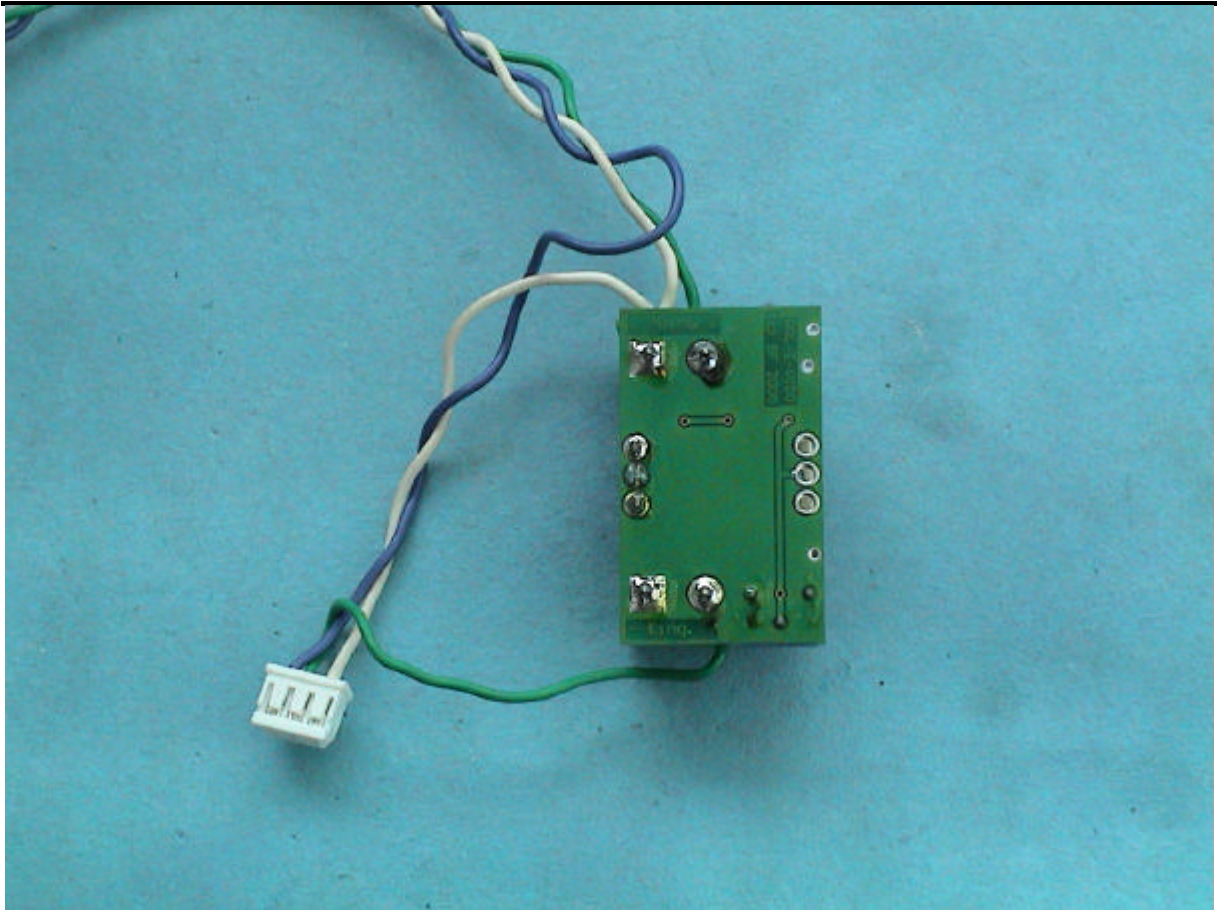
Turning the potentiometer to one side will slow down the forward movement, turning to the other side will speed up the movement.

Note: The speed is pre adjusted and is not more dependent from the charge status of the battery.



WECOHE PRODUCTS

Assembly Instructions for Tamiya 1/16 Scale King Tiger Upgrade Recoilunit



Thank you for your purchase of our products and Happy Tanking!

WECOHE Products

www.wecohe.com